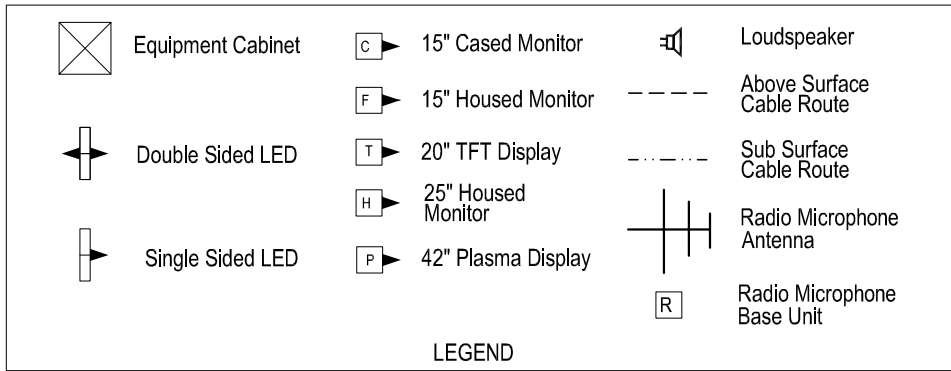


DRG No. SM803-75623

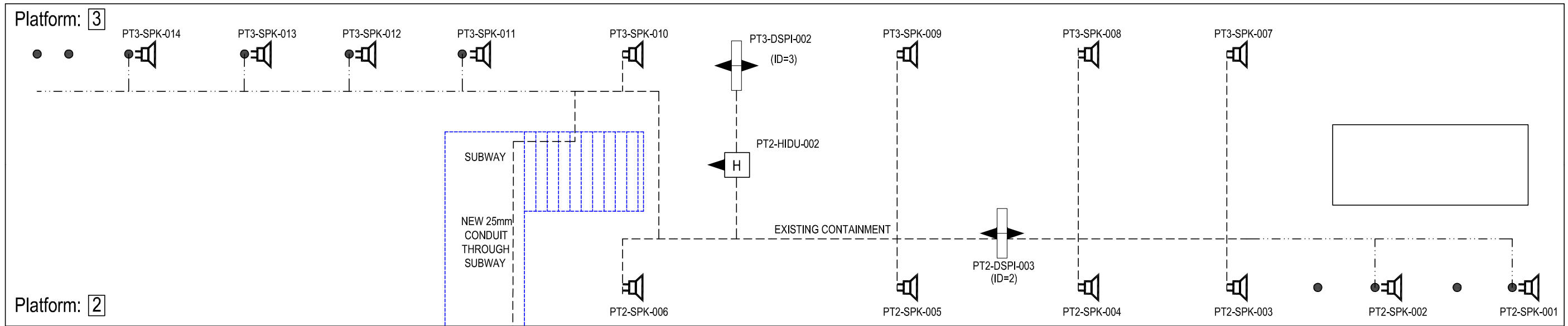
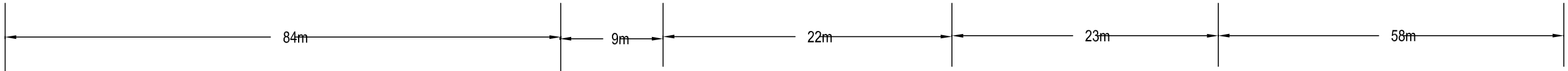
WAN	
CIRCUIT ID	KXIP600360
IP ADDRESS	10.227.96.1

"PLATFORM 1 HP ISDN"
01-252-342470
"PLATFORM 2 HP ISDN"
01-252-342476

All Equipment tags to be prefixed with "AHT-"



Equipment	Dist Board
PT3-DSPI-002	EXISTING SPUR
PT3-CIDU-001	EXISTING SPUR
PT2-DSPI-003	EXISTING SPUR



IF IN DOUBT ASK!

MATERIAL	CONSTRUCTION	NAME	SIGNATURE	DATE
		D GADDU		05-03-2002
		T WONG		
		A SMITH		
FINISH				
		CAD Ref:		
		CONTRACTOR'S Ref:		



AMEY DATEL Project  
 Offices  
 1st Floor, Platform  
 2/3  
 Eastleigh Station  
 Southampton Road  
 Eastleigh  
 Hants  
 SO50 9FL

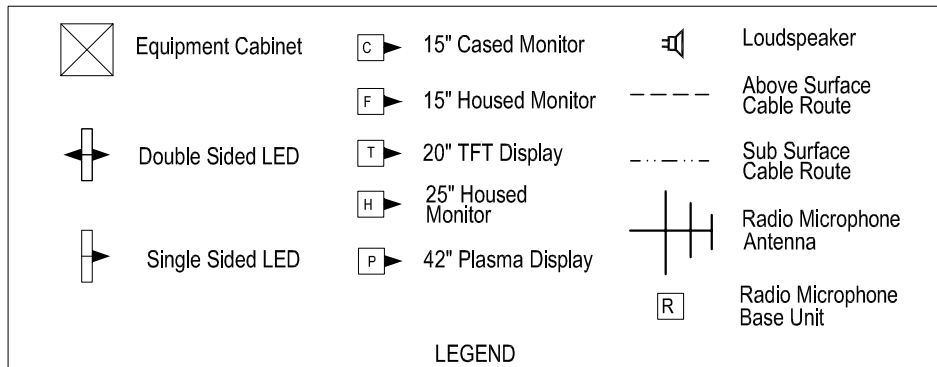
COPYRIGHT © AMEY Rail  
 All rights reserved. Neither this drawing or any of the information  
 it contains may be copied or communicated to third parties  
 without the written permission of the copyright holder

SITE/PROJECT			
SOUTH WEST TRAINS CIS PROJECT			
TITLE			
ALDERSHOT AS BUILT			
SCALE	DRG No.	ISSUE	SHEET
NTS	SM803-75623	B	1 of 2

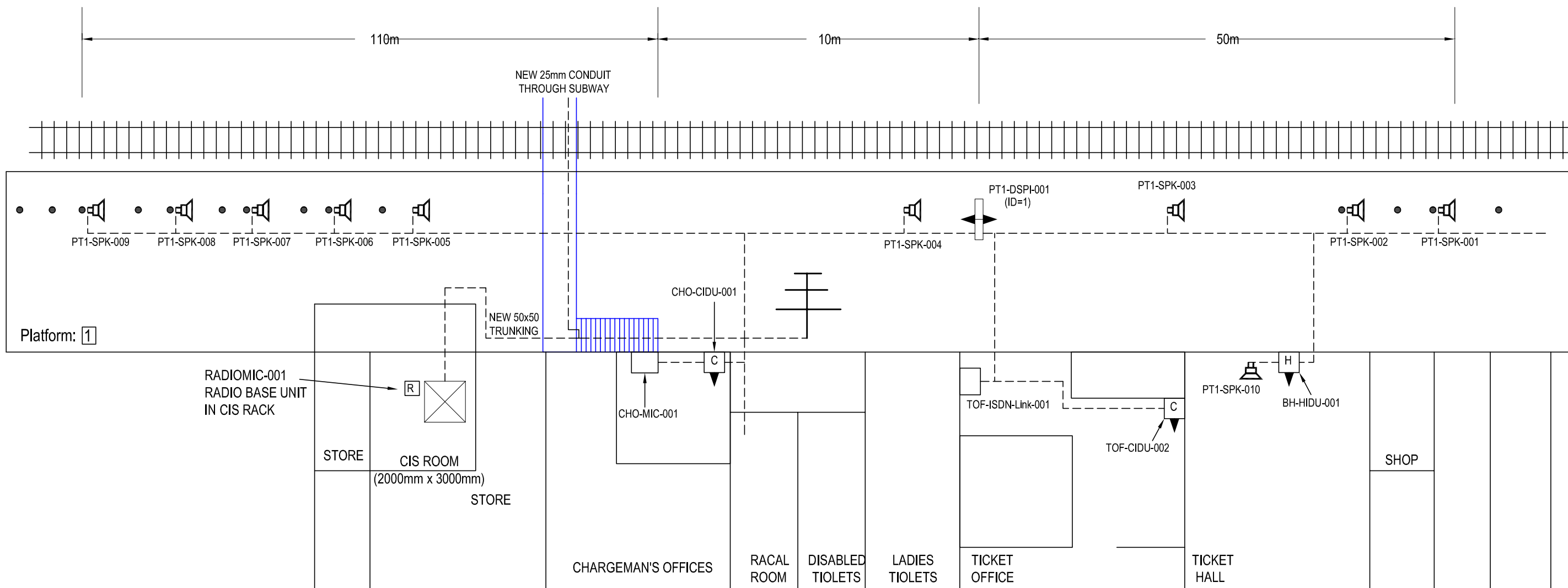
WAN	
CIRCUIT ID	KXIP600360
IP ADDRESS	10.227.96.1

"PLATFORM 1 HP ISDN"
01-252-342470
"PLATFORM 2 HP ISDN"
01-252-342476

All Equipment tags to be prefixed with "AHT-"



Equipment	Dist Board
CIS RACK	LOCAL CRABTREE BOARD CCT 3
ALL OTHERS EXISTING SPURS	



IF IN DOUBT ASK!

MATERIAL	CONSTRUCTION	NAME	SIGNATURE	DATE
		D GADDU		06-03-2002
		T WONG		
		A SMITH		
FINISH				
		CAD Ref:		
		CONTRACTOR'S Ref:		



AMEY DATEL Project  
 Offices  
 1st Floor, Platform  
 2/3  
 Eastleigh Station  
 Southampton Road  
 Eastleigh  
 Hants  
 SO50 9FL

COPYRIGHT © AMEY Rail  
 All rights reserved. Neither this drawing or any of the information it contains may be copied or communicated to third parties without the written permission of the copyright holder

SITE/PROJECT		SOUTH WEST TRAINS CIS PROJECT	
TITLE		ALDERSHOT AS BUILT	
SCALE	DRG No.	ISSUE	SHEET
NTS	SM803-75623	B	2 of 2