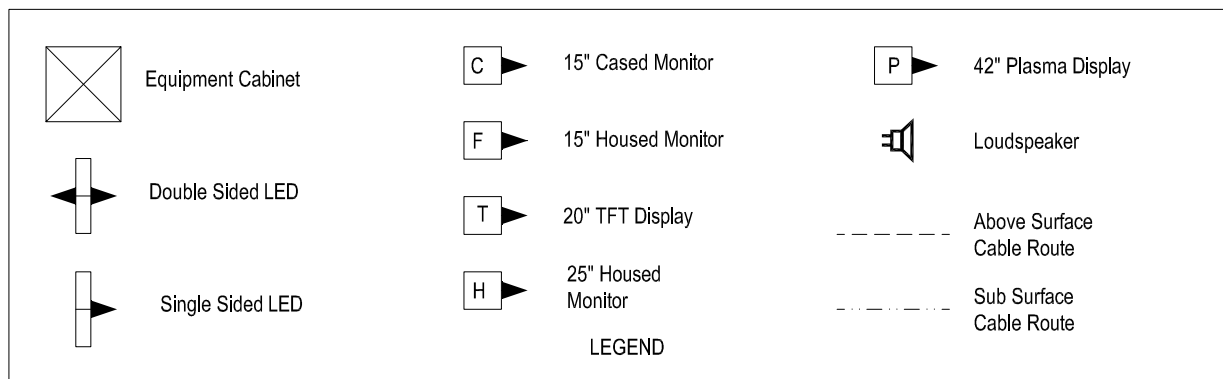


SM803-75945

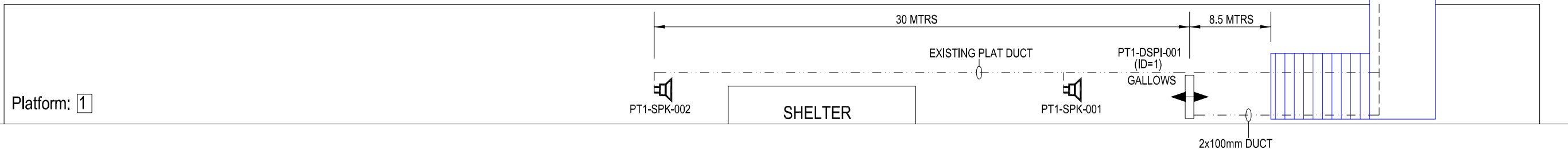
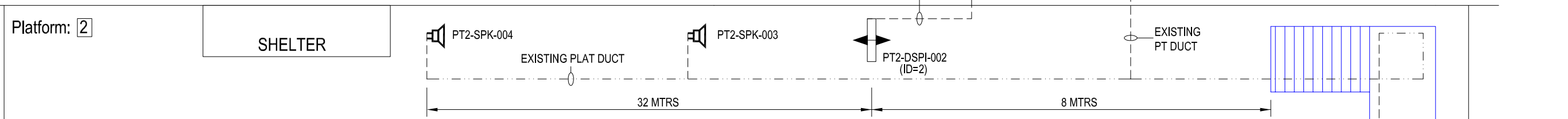
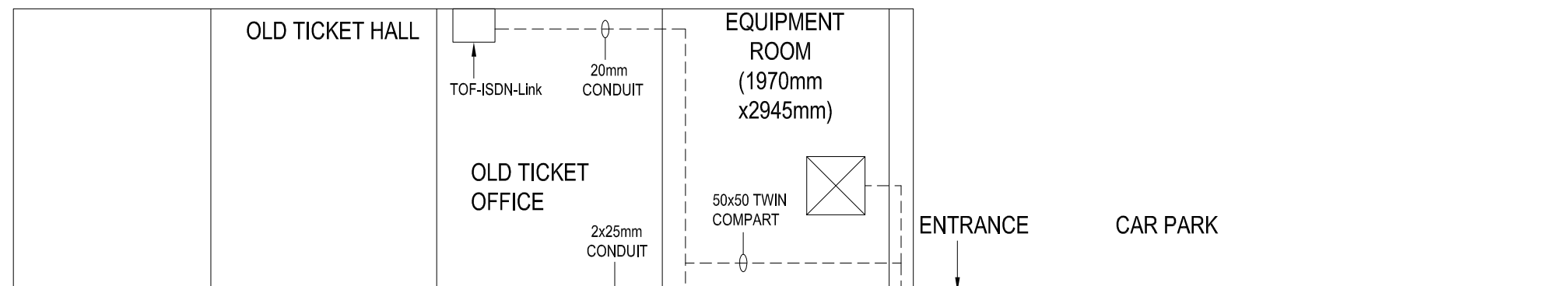
WAN	
CIRCUIT ID	KXIP 700392
IP ADDRESS	10.227.83.1

"PLATFORM 1 HP ISDN"
02380-630317
"PLATFORM 2 HP ISDN"
02380-630416

All Equipment tags to be prefixed with "BTE-"



Equipment	Dist Board
HEATER	CCT NO. 1
13 AMP SKT	CCT NO. 2
CIS RACK	CCT NO. 3
LIGHT	CCT NO. 4
STAT + FAN	CCT NO. 5
LED PT1	CCT NO. 6
LED PT 2	CCT NO. 7
SPARE	CCT NO. 8 & 9



IF IN DOUBT ASK!

MATERIAL	CONSTRUCTION	NAME	SIGNATURE	DATE
		D GADDU		19-03-2002
		T WONG		
		A SMITH		
FINISH				
		CAD Ref:		
		CONTRACTOR'S Ref:		

AMEY DATEL Project
 Offices
 1st Floor, Platform
 2/3
 Eastleigh Station
 Southampton Road
 Eastleigh
 Hants
 SO50 9FL

COPYRIGHT © AMEY Rail
 All rights reserved. Neither this drawing or any of the information it contains may be copied or communicated to third parties without the written permission of the copyright holder

SITE/PROJECT		SOUTH WEST TRAINS CIS PROJECT	
TITLE		BITTERNE AS BUILT	
SCALE	DRG No.	ISSUE	SHEET
NTS	SM803-75945	B	1 of 1