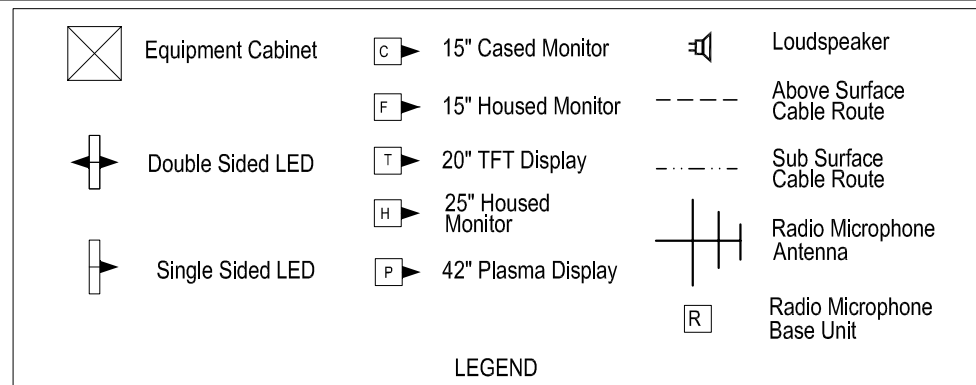


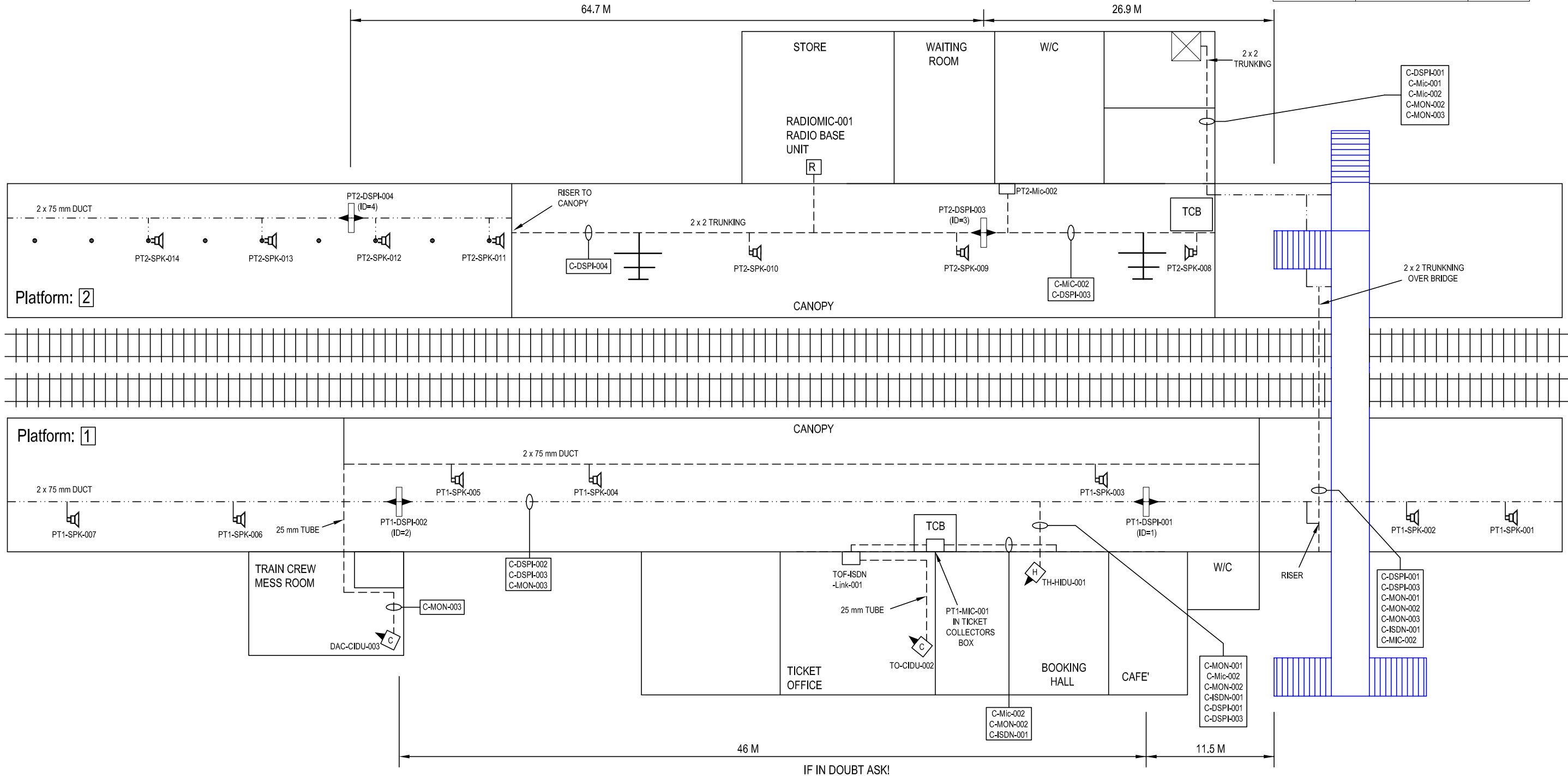
WAN	
CIRCUIT ID	KXIP700560
IP ADDRESS	10.227.35.1

"PLATFORM 1 HP ISDN"
01-784-440661
"PLATFORM 2 HP ISDN"
01-784-440662

All Equipment tags to be prefixed with "SNS-"



Equipment	Dist Board
TH-HIDU-001	EXISTING
PT1-DSPI-001	EXISTING
PT1-DSPI-002	EXISTING
PT2-DSPI-003	GP1 CCT7 16A
PT2-DSPI-004	MESSROOM DB CCT6
TO-CIDU-002	EXISTING
DAC-CIDU-003	DB A1C CCT6 6A



MATERIAL	CONSTRUCTION	DRAWN BY	D GADDU	SIGNATURE		AMEY DATEL Project Offices 1st Floor, Platform 2/3 Eastleigh Station Southampton Road Eastleigh Hants SO50 9FL	SITE/PROJECT		SOUTH WEST TRAINS CIS PROJECT	
		CHECKED BY	T WONG	DATE	22-05-2002		TITLE	STAINES AS BUILT		
FINISH	CONSTRUCTION	APPD BY	A SMITH			COPYRIGHT © AMEY Rail All rights reserved. Neither this drawing or any of the information it contains may be copied or communicated to third parties without the written permission of the copyright holder	SCALE	DRG No.	ISSUE	SHEET
		CAD Ref:					NTS	SM803-75670	B	1 of 1
		CONTRACTOR'S Ref:								